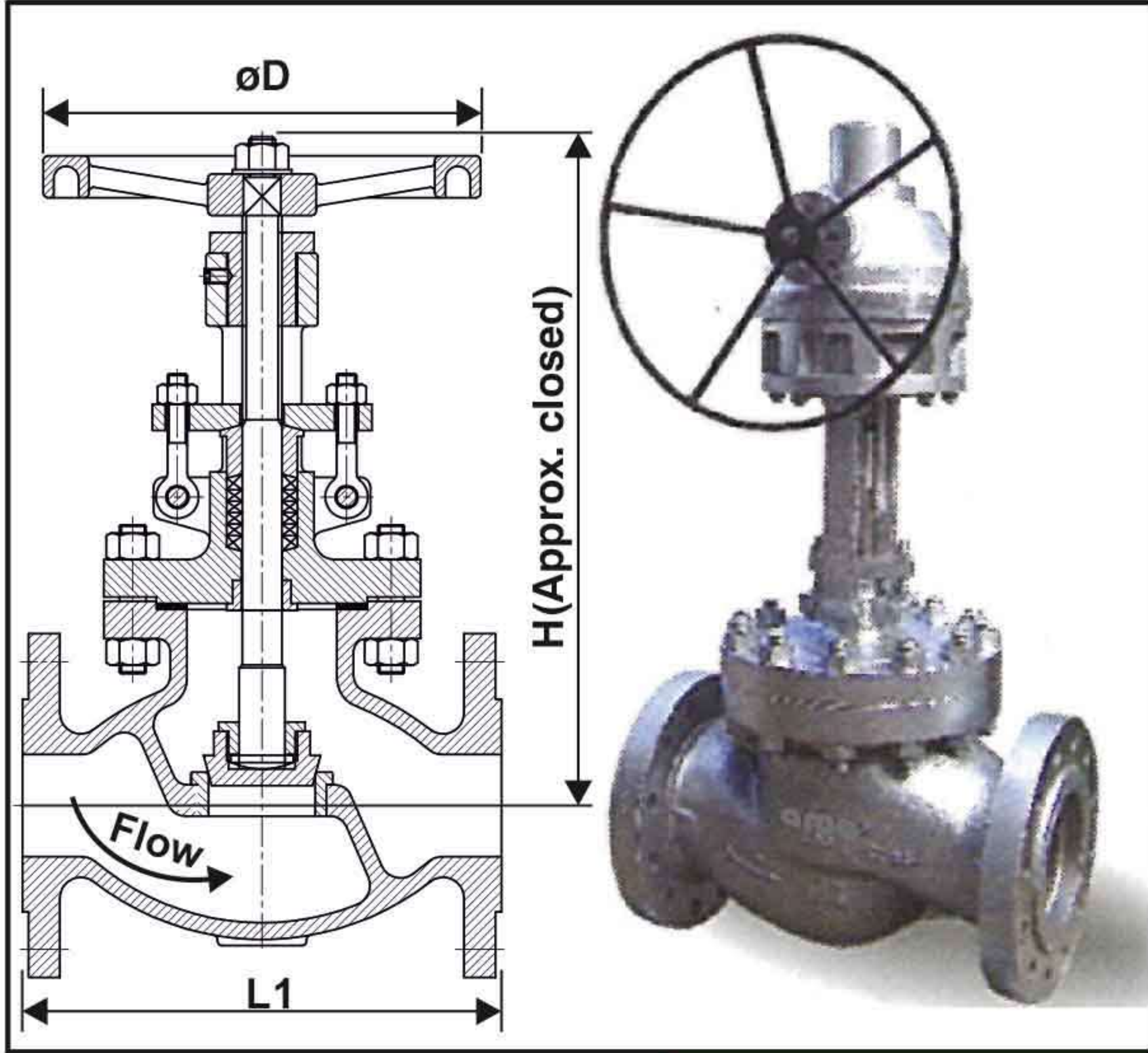


CAST STEEL GLOBE VALVE #150#300#600#900#1500#2500

BOLTED BONNET GLOBE VALVE #150#300#600#900#1500



Technical Specifications

Manufacturing Standard : BS 1873 / ASME B 16.34

Face to Face : ASME B16.10

Flange Dim. & Drilling : ASME B16.5

Testing Standard : BSEN 12266 - I / ASMEB16.34

- The Globe Valves will have OS & Y construction rising stem and hand wheel.
- Bolted Bonnet up to #600.
- Pressure Sealed Bonnet for #900 and above
- Threaded seat rings for #150#300 and #600.
- Seal welded seat rings for #900 and above.

#150

Nominal Size	40	50	65	80	100	125	150	200	250	300	350	400	450
L1	165	203	216	241	292	356	406	495	622	698	787	914	978
L2	-	203	216	241	292	356	406	495	622	698	787	914	978
H	332	332	379	390	460	464	513	630	979	1049	1106	1224	1264
D	200	200	250	250	250	300	350	400	500	500	500	600	600

#300

Nominal Size	40	50	65	80	100	125	150	200	250	300	350	400
L1	229	267	292	318	356	400	444	559	622	711	838	864
L2	-	267	292	318	356	400	444	559	622	711	838	864
H	362	362	433	436	510	610	685	1062	1143	1188	1450	1410
D	200	200	250	250	350	400	450	500	600	600	600	600

#600

Nominal Size	50	65	80	100	125	150	200	250	300
L1	292	330	356	432	508	559	660	787	838
L2	292	330	356	432	508	559	660	787	838
H	400	475	506	897	930	991	1167	1320	1580
D	250	300	350	500	500	500	600	600	610

PRESSURE SEAL GLOBE VALVE

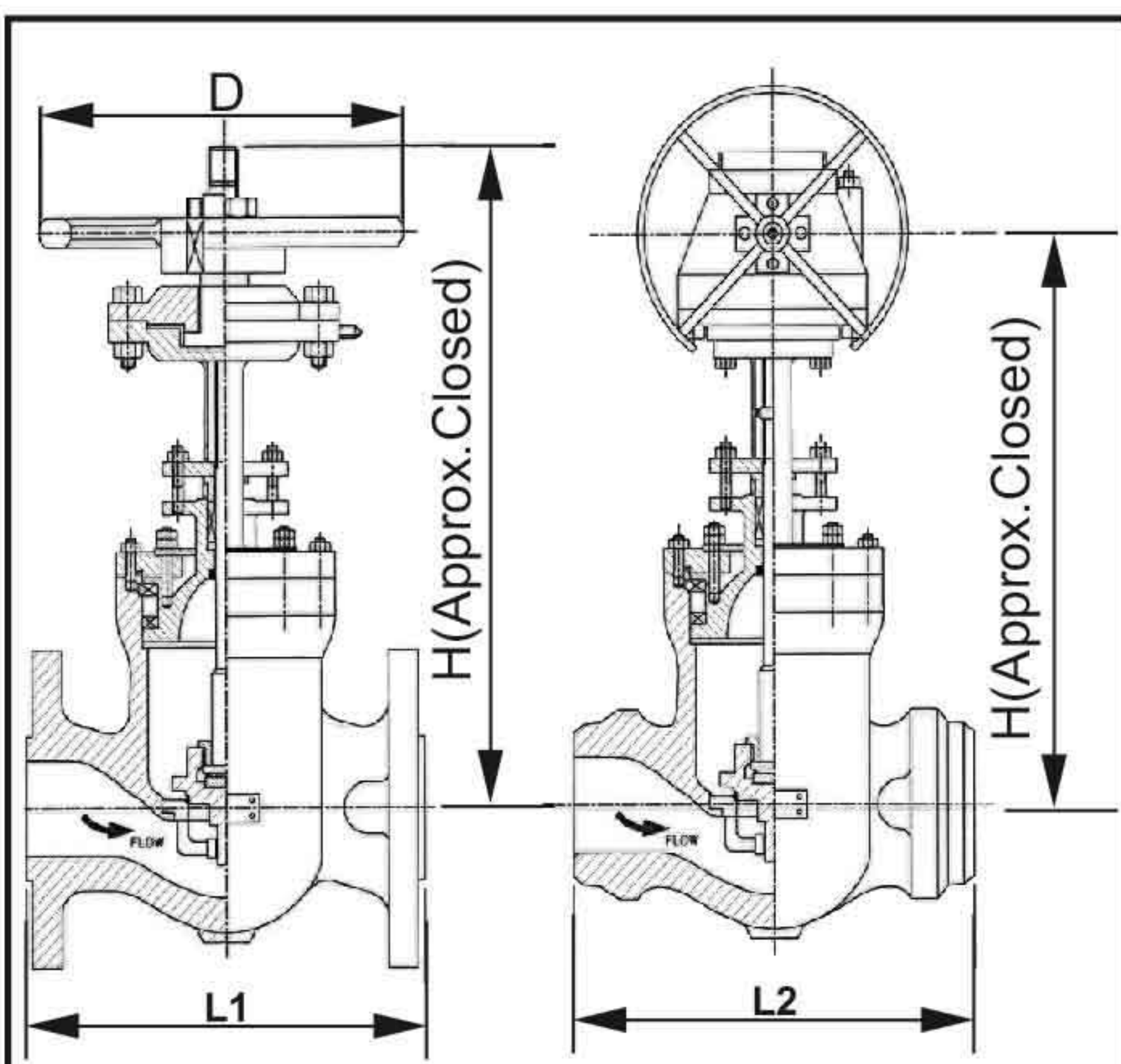
#900#1500#2500

#900

Nominal Size	80	100	150	200
L1	381	457	610	737
L2	381	457	610	737
H	900	957	1173	1381
D	500	500	600	600

#1500

Nominal Size	50	65	80	100	150	200
L1	368	419	470	546	705	832
L2	368	419	470	546	705	832
H	540	920	964	1102	1366	1400
D	350	500	500	600	600	610



#2500

Nominal Size	50	65	80	100
L1	451	508	578	673
L2	451	508	578	673
H	648	702	1016	1278
D	400	500	600	600

TEST PRESSURE (bar)

TEST PRESSURE (bar)		#150	#300	#600	#900	#1500
HYDROSTATIC	SHELL	31	76	156	230	384
	SEAT	21	56	102	169	282
	BACK SEAT	21	56	102	169	282
AIR	SEAT	6.9				