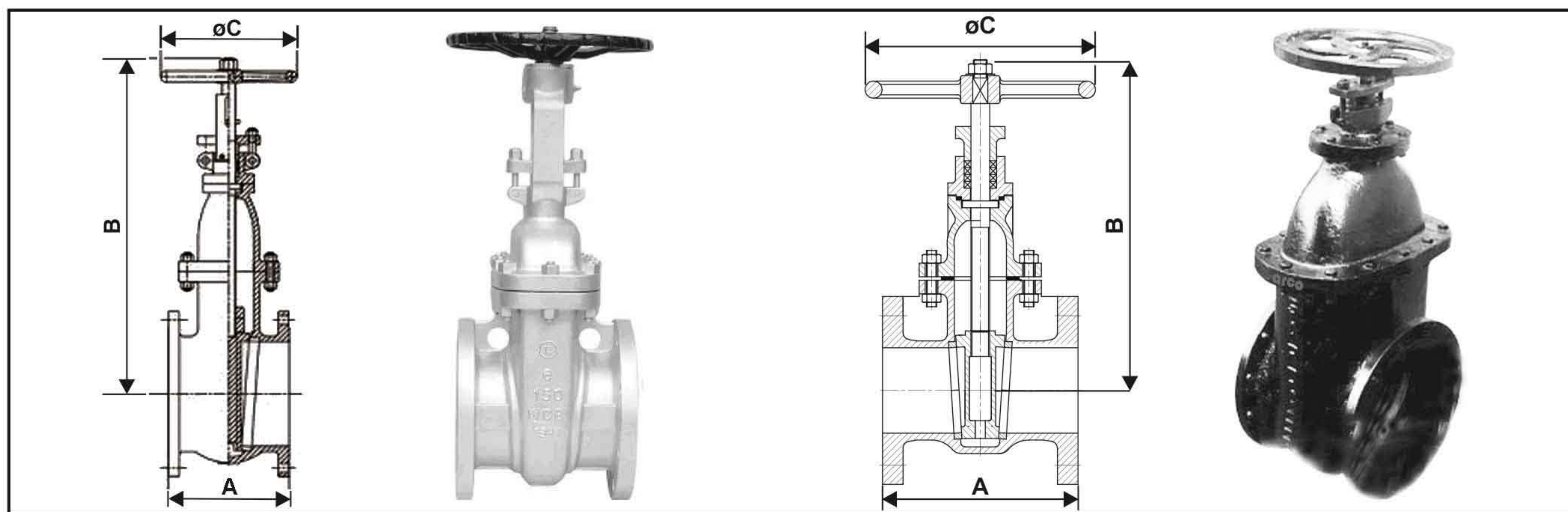


**CAST IRON GATE (RISING AND NON RISING TYPE PN 10 PN 16)**



SIZE (mm)	50	65	80	100	125	150	200	250	300	350	400	450	500	600	700	750	800	900	1000	1100	1200
A	178	190	203	229	254	267	292	330	356	381	406	432	457	508	610	610	660	711	811	1650	1800
B	365	390	425	470	540	595	725	835	940	1030	1100	1200	1340	1500	1620	1720	1820	2040	2200	2400	2580
øC	225	225	225	320	320	320	360	400	400	500	640	720	720	720	800	900	900	900	900	1000	1000

SIZE (mm)	50	65	80	100	125	150	200	250	300
A	178	190	203	229	254	267	292	330	356
B	425	450	480	558	600	670	780	900	1010
øC	225	225	225	320	320	320	360	400	400

**Technical Specifications**

Design & Testing : IS 14846

**MATERIAL SPECIFICATIONS**

COMPONENTS	MATERIAL OF CONSTRUCTION
Body	IS 210 FG 220 (CI)/A 536 Gr 40 (DI)
Bonnet	IS 210 FG 220 (CI) / A 536 Gr 40 (DI)
Wedge (Gate)	IS 210 FG 220 (CI) / A 536 Gr 40 (DI)
Wedge Face Ring	LTB2/SS410
Seat Ring	LTB2/SS410
Stem	SS 410

**TEST PRESSURE (bar)**

TEST PRESSURE (bar)		PN10	PN16
HYDROSTATIC	SHELL	15	24
	SEAT	10	16

**KINETIC AIR VALVE & DOUBLE BALL AIR VALVE**

**Technical Specifications**

Design & Manufacturing	: IS 14845
Inspection & Testing	: IS 14845
Flange Standard	: IS 1538 / BS 10 Table D/E
Size Range	: 50mm TO 200mm

**Application :**  
 Kinetic air valve shall be capable of controlling the release of entrapped air and large volumes of air during a pipeline filling operation. Similarly, should a vacuum condition occur, the valve shall be capable of allowing a controlled intake of air into the system to minimize surge.

**MATERIAL SPECIFICATIONS**

COMPONENTS	MATERIAL OF CONSTRUCTION
Body	IS 210 FG 220 (CI)
High Pressure cover	IS 210 FG 220 (CI)
Low pressure seat ring & face ring	IS 210 FG 220 (CI) / A 536 Gr 40 (DI) : Natural Rubber , EPDM
Cowl/Joint support ring	IS 210 FG 220 (CI)
Body Seat ring	IS 210 FG 220 (CI)
H.P. orifice	: Leaded tin bronze/SS
Gasket	: Timber core with rubber coating/SS
Bolts & Nuts	: Natural rubber type B
Float	: Carbon steel
Guide	: Leaded tin bronze, high tensile brass