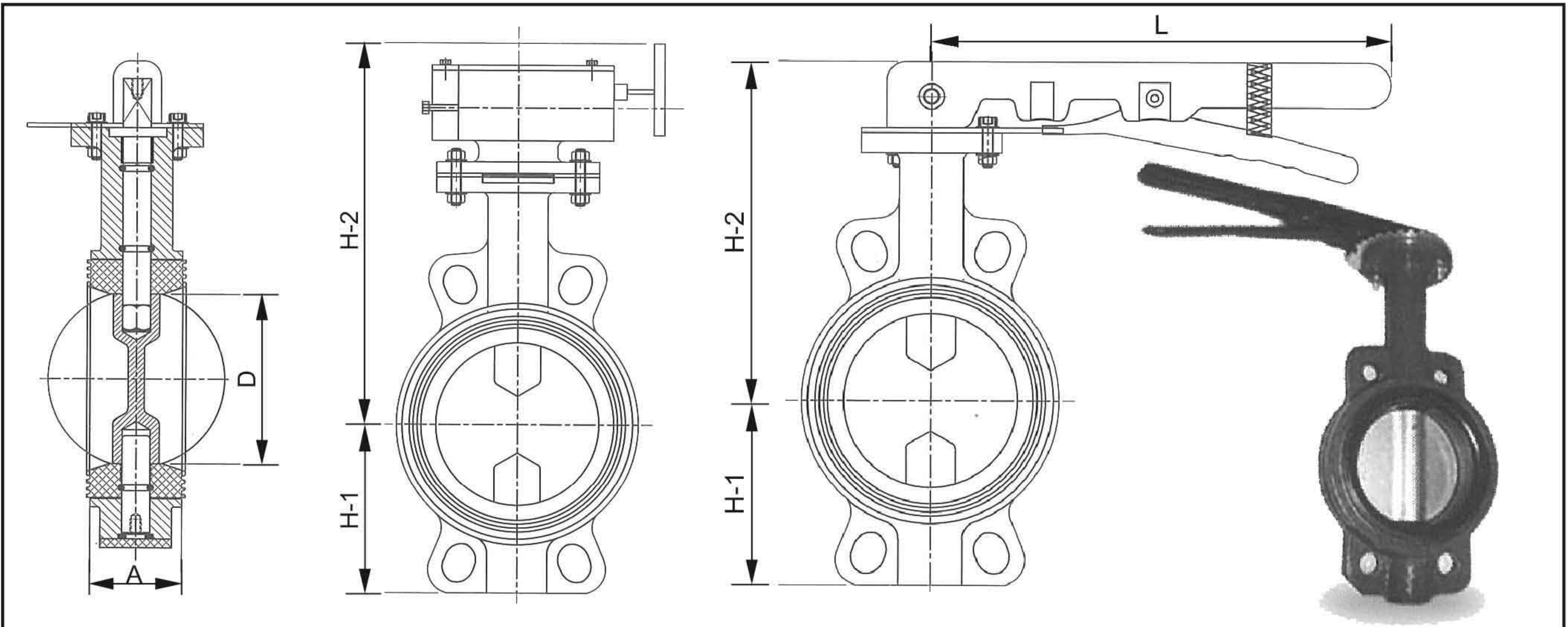


**CAST IRON BUTTERFLY VALVE WAFER TYPE LEVER OPERATED (PN 10 & 16)**



Size (mm)	A	H1	H2	L	ØD	Wt. Kg.
50	43	73	145	170	52	2.3
65	46	77	151	170	63	3
80	46	85	180	170	78	3.5
100	52	109	192	260	102	4.9
125	56	123	210	260	124	6.2
150	56	139	235	260	154	7.9
200	60	170	270	260	204	12
250	68	206	530	**	251	25
300	78	243	570	**	300	32

**Technical Specifications**

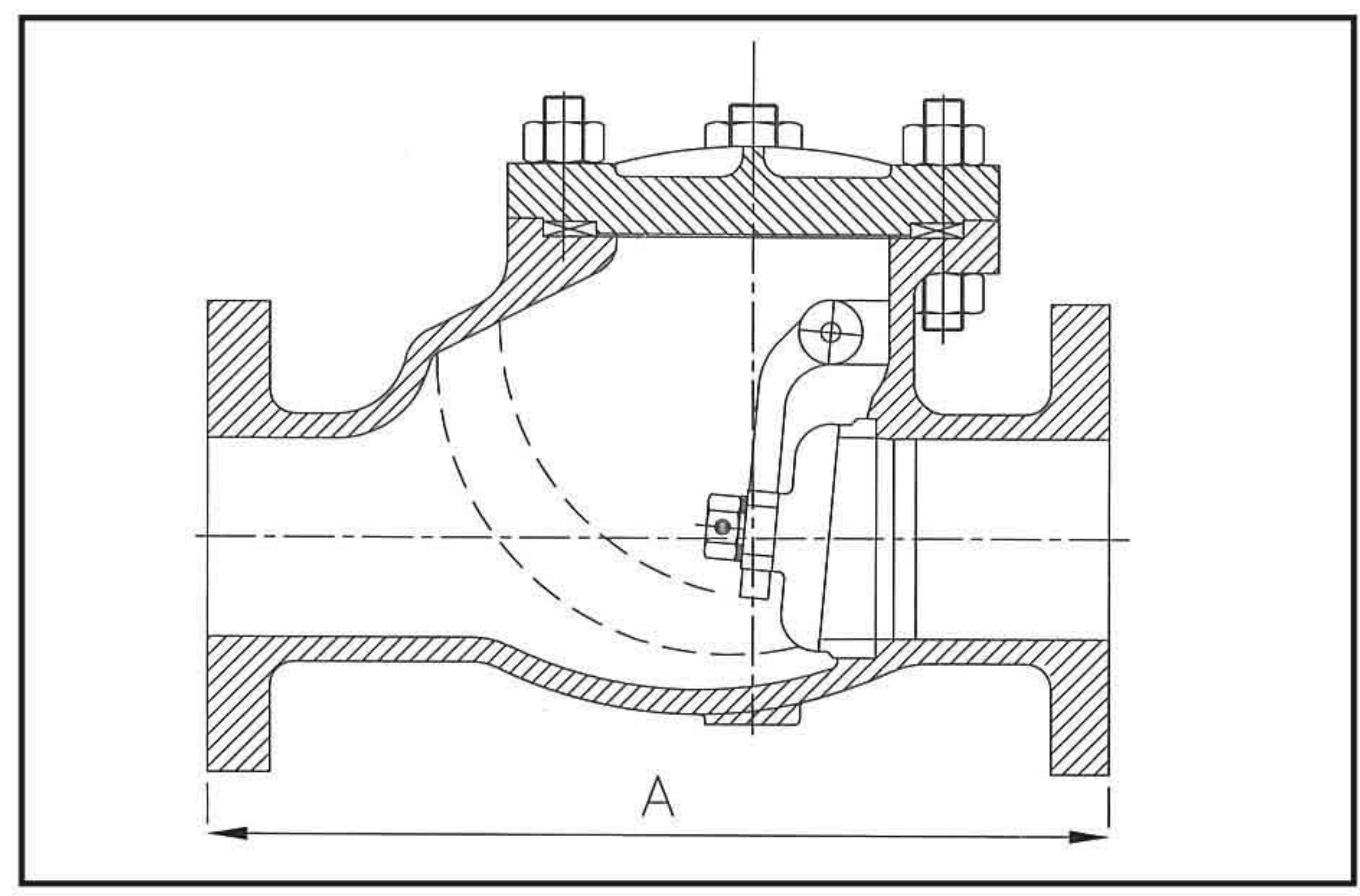
**Manufacturing Standard** : BSEN 5155/API 609  
**ENDS** : Wafer type  
**Testing Standard** : BSEN 12266-1/API 598

**MATERIAL SPECIFICATIONS**

**COMPONENTS** : MATERIAL OF CONSTRUCTION  
**Body** : IS 210 FG 220 (CI)  
**Disc** : A 536 GR 40 (DI) / A 351 Gr Cf8  
**Stem** : A 276 Gr SS 410 / 304  
**Body Seat** : EPDM + BACKLITE  
**Steam Bush** : PTFE  
**Lever** : CARBON STEL

*Features : \*\* Gear operated valve Butterfly valve centric disc design, replaceable rubber seat.*

**CAST IRON REFLUX VALVE ( NON RETURN VALVE PN 10 PN 16)**



**Technical Specifications**

**Design & Testing** : IS 5312

**MATERIAL SPECIFICATIONS**

**COMPONENTS** : MATERIAL OF CONSTRUCTION  
**Body** : IS 210 FG 220 (CI) / A 536 Gr 40 (DI)  
**Cover** : IS 210 FG 220 (CI) / A 536 Gr 40 (DI)  
**Hinge** : IS 210 FG 220 (CI) / A 536 Gr 40 (DI)  
**Seat Ring** : BRONZE / SS410  
**Disc** : CI + BRONZE / SS410

SIZE (mm)	50	65	80	100	125	150	200	250	300	350	400	450	500	600
A	200	240	260	300	350	400	500	600	700	800	900	1000	1100	1300